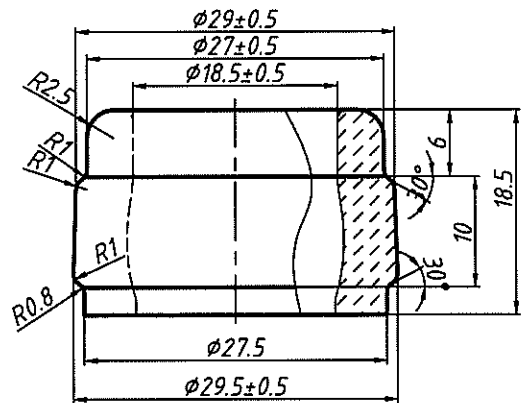
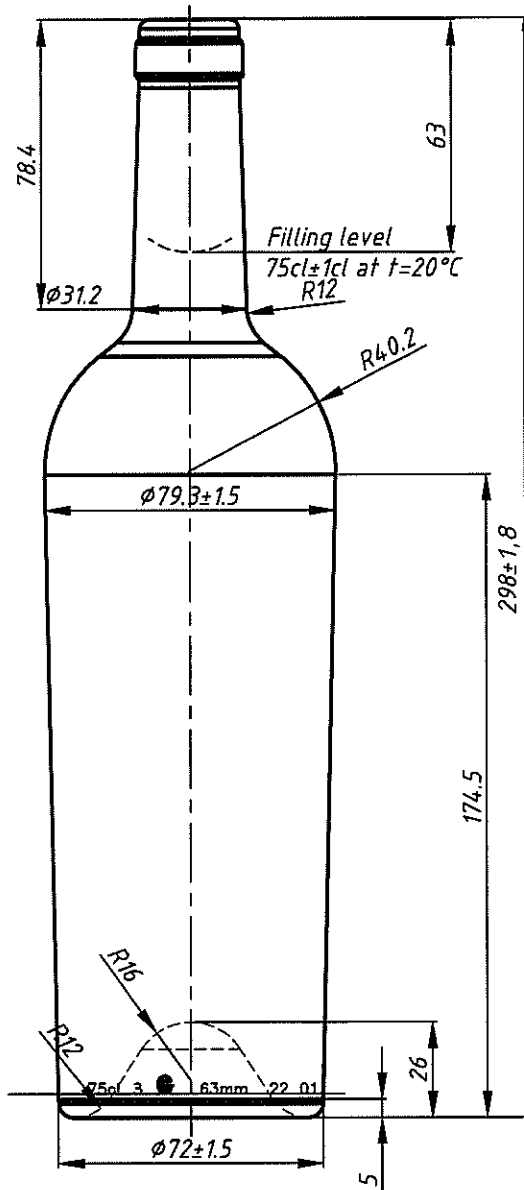


# СЗС "GLASSICA"



Technical data of item

Nominal capacity at H=63mm, cm<sup>3</sup> - 75cl±1cl  
 Glass weight - 440 gr.  
 Glass color - FLINT, GREEN

Packing data:

Quantity per pallet- 1120 pcs.  
 Quantity per truck- 36960 pcs.  
 Dimension of pallet-1200x800

Seller's approval \_\_\_\_\_

Buyer's approval \_\_\_\_\_

The controllable dimensions of a glass finish FACETA 29.5H16:  $\phi 29.5 \pm 0.5$ ;  $\phi 27.5 \pm 0.5$ ;  $\phi 18.5 \pm 0.5$  must be on the depth - 3 mm;  $\phi 17.5$  min through bore

The controllable dimensions of a glass body:

$\phi 79.3 \pm 1.5$ ;  $\phi 72 \pm 1.5$ ;  $298 \pm 1.8$

Thickness of glass bottle walls, min-1.2 mm

Thickness of glass bottle bottom, min - 2.4 mm

Termoshock, min - 40°C

Pressure, min - 5bar/60±2 sec

Item: "Conica GLS P-29-A - 750"